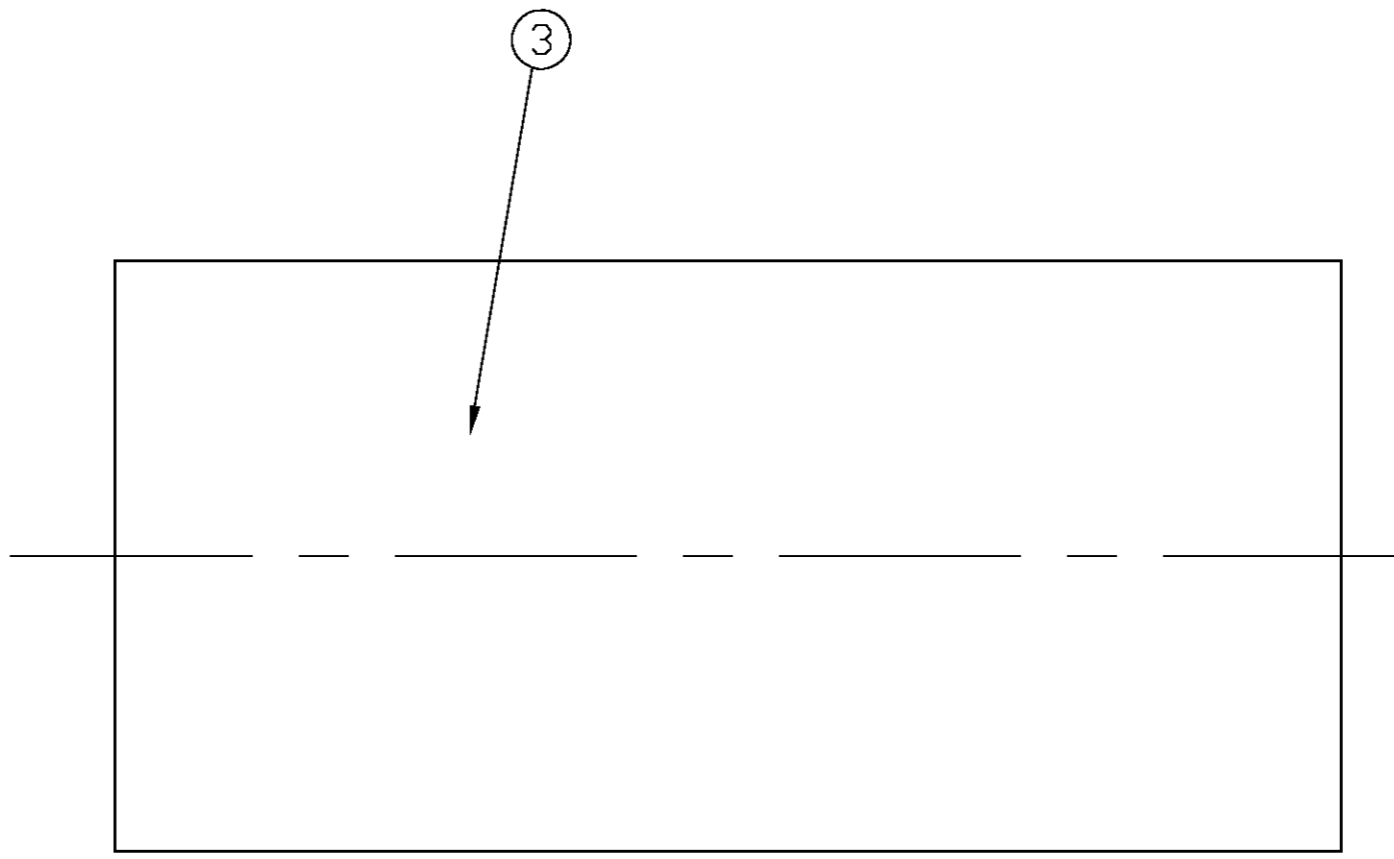
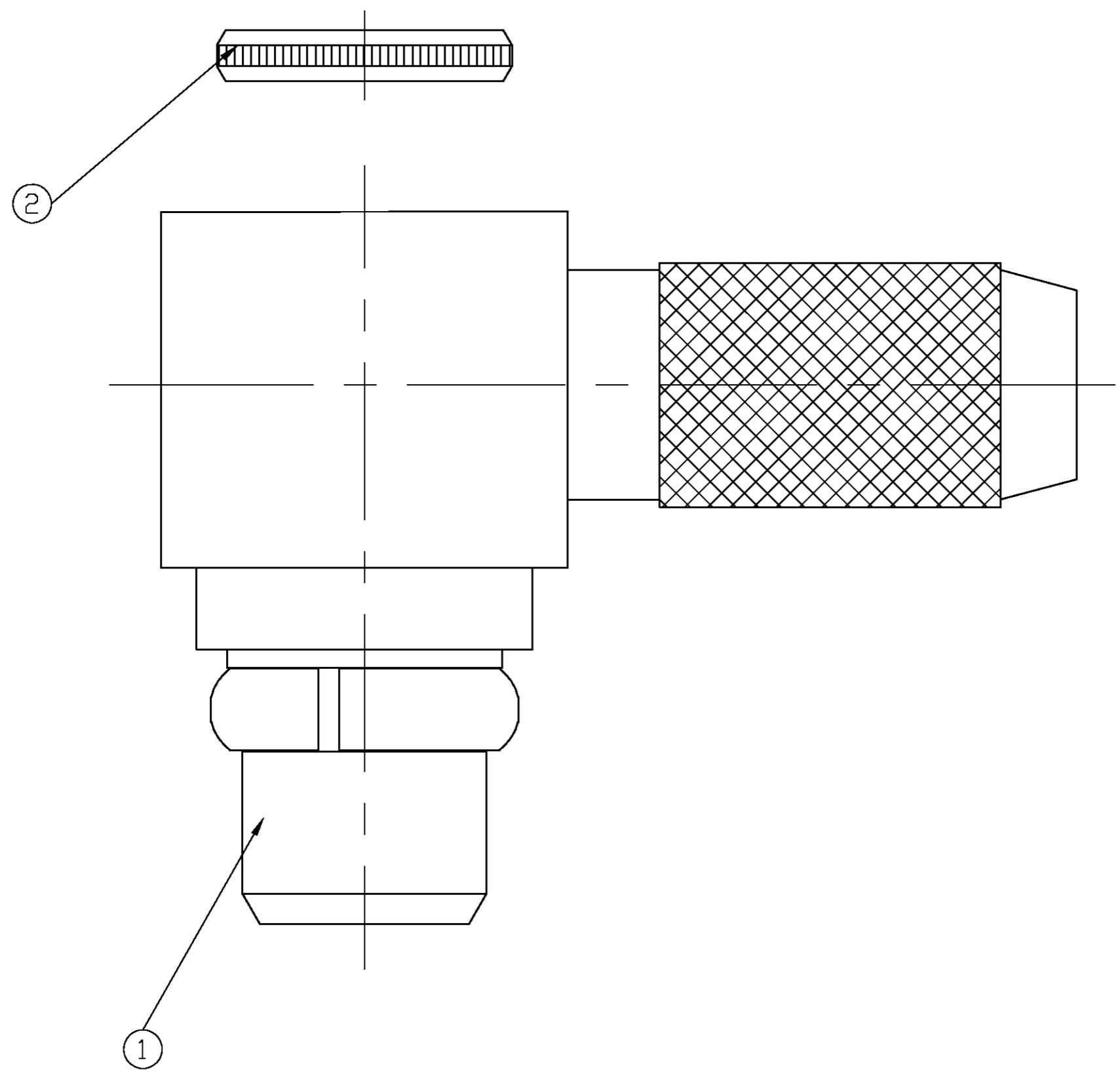
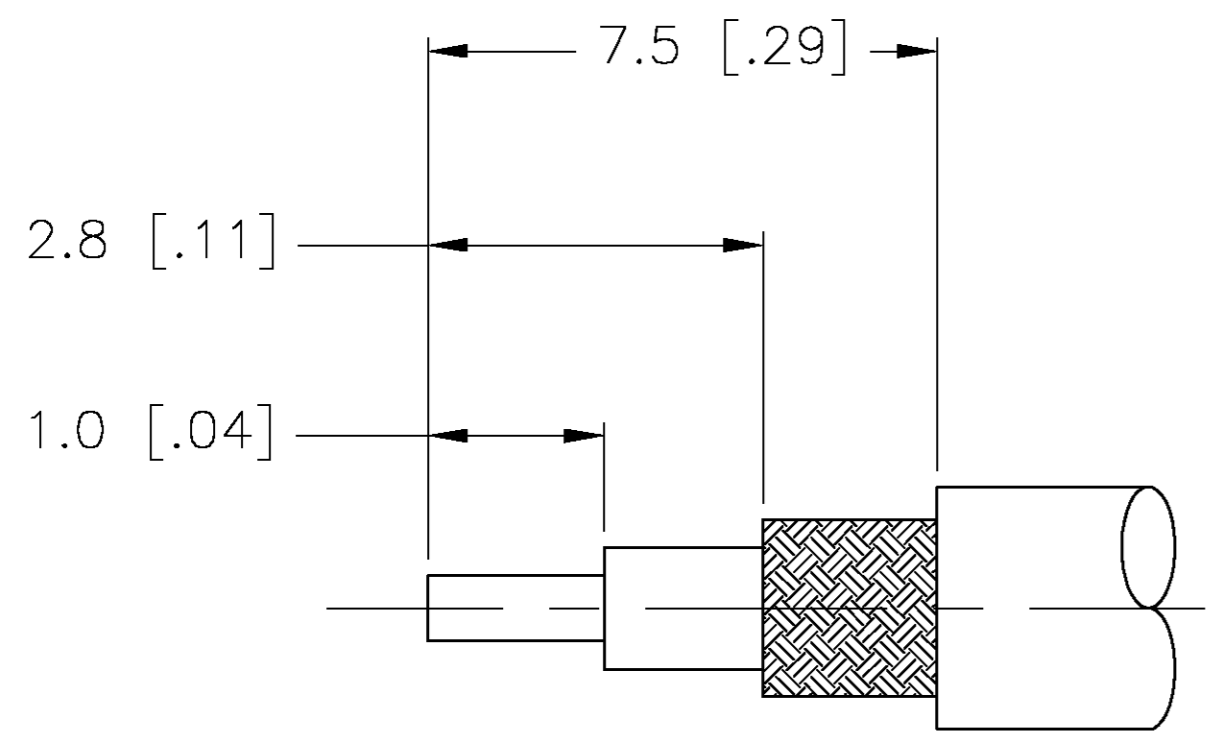


THIS DRAWING IS UNPUBLISHED. RELEASED FOR PUBLICATION  
 © COPYRIGHT BY TYCO ELECTRONICS CORPORATION. ALL RIGHTS RESERVED.

LOC		DIST		REVISIONS			
P	LTR	DESCRIPTION	DATE	DWN	APVD		
AJ	-	F	REV PER 0514-0332-04	09AUG04	KW	KW	



- 1. ITEMS 1, 2, 3, AND 4 PACKAGED UNASSEMBLED
- △<sub>2</sub> CRIMP REQUIREMENTS: FERRULE 2.67 [.105] HEX
- △<sub>3</sub> CRIMP REQUIREMENTS: FERRULE 3.25 [.128] HEX
- △<sub>4</sub> CRIMP REQUIREMENTS: FERRULE 3.86 [.152] HEX
- 5. ITEM 4 NOT SHOWN



RECOMMENDED CABLE STRIP LENGTH (NTS)

OMNIFLEX 200 △ <sub>2</sub>	1405671-2	8-1403102-5	1408146-2	1408147-2	1408149-4
RD-316 △ <sub>4</sub>	---	3-413889-2	1408146-2	1408147-1	1408149-3
RG-316 △ <sub>3</sub>	---	3-413889-1	1408146-2	1408147-1	1408149-2
RG-178 RG-196 △ <sub>2</sub>	---	3-413889-3	1408146-2	1408147-2	1408149-1
CABLE CRIMP INFO	SHRINK TUBING △ <sub>4</sub>	FERRULE △ <sub>3</sub>	CAP △ <sub>2</sub>	HOUSING ASSY △ <sub>1</sub>	PART NUMBER

THIS DRAWING IS A CONTROLLED DOCUMENT.

DWN	19NOV2001	Tyco Electronics Corporation Middletown, PA 17057							
CHK	22OCT00								
APVD	22OCT00								
NAME									
PRODUCT SPEC	108-2084	MMCX RIGHT ANGLE CABLE PLUG-CRIMP							
APPLICATION SPEC	408-8627								
WEIGHT	0.86g/0.030oz	SIZE	A2	CAGE CODE	00779	DRAWING NO	C=1408149	RESTRICTED TO	-
CUSTOMER DRAWING		SCALE	20:1	SHEET	1 OF 1	REV	F		

1408149